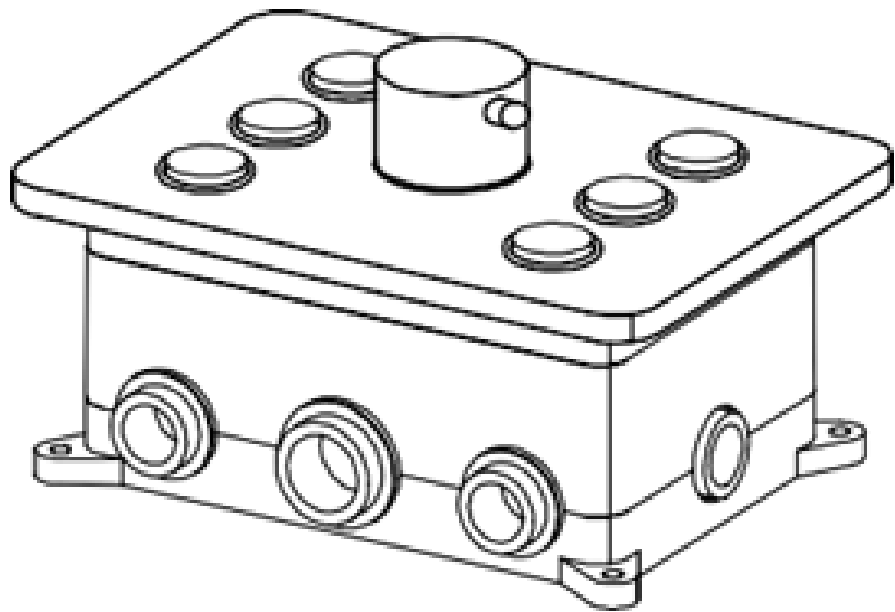
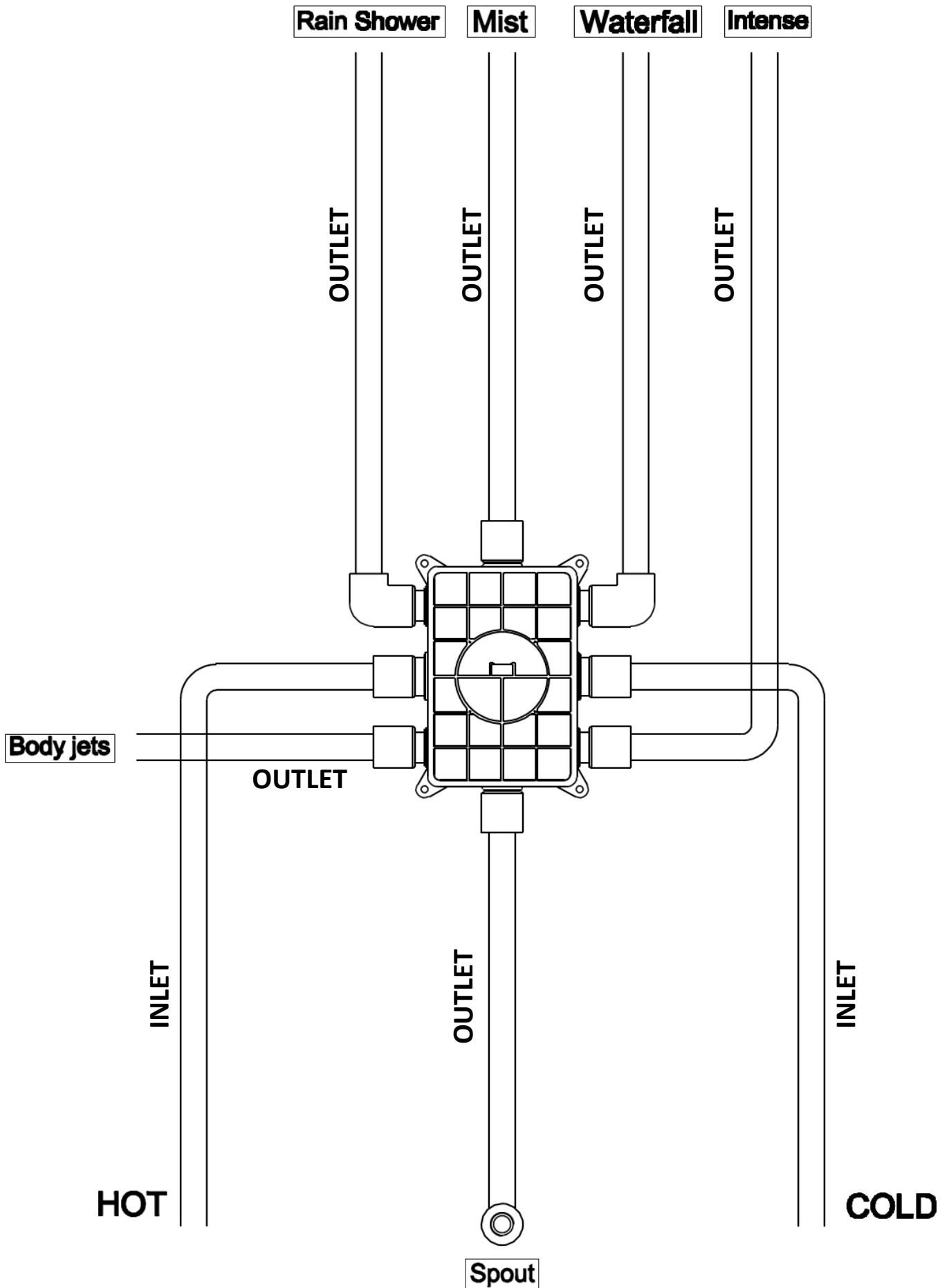


INSTALLATION GUIDE



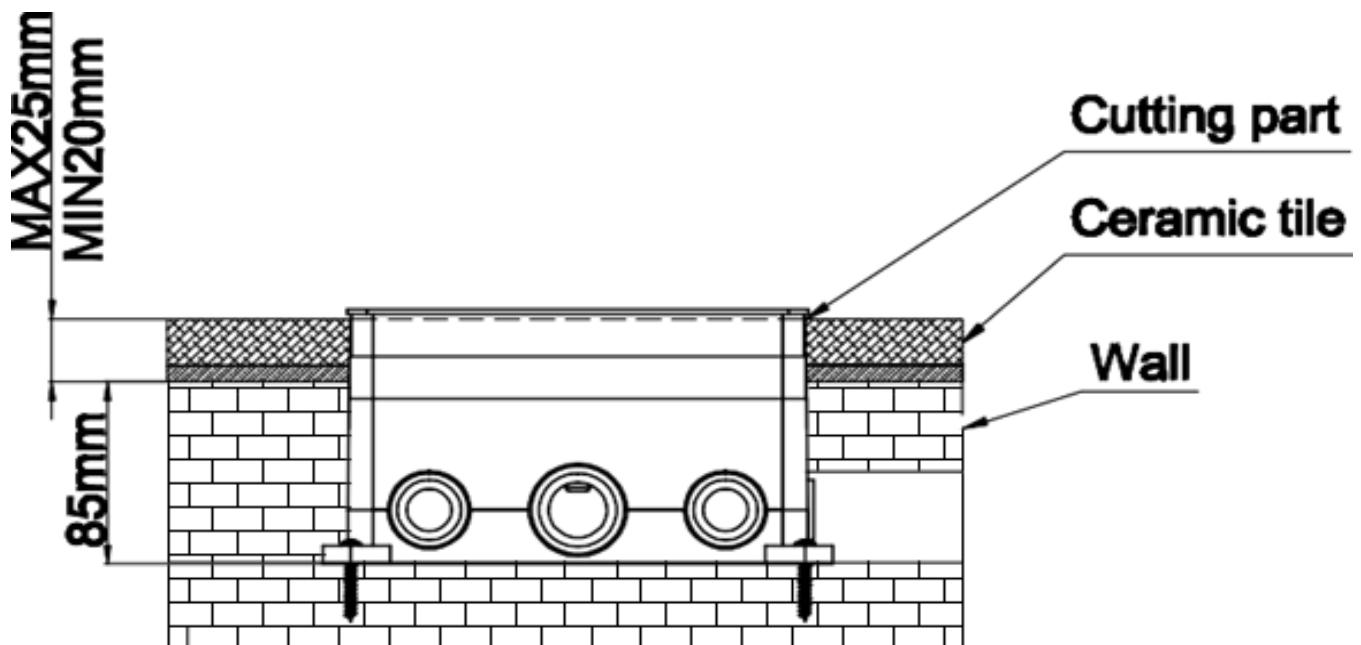
MIXER DIVERTER

MODEL: MDPB- TH6(MF)



TECHNICAL DATA

- Operating Pressure: Max 5 Bar
- Recommended Operating Pressure: 1 - 5 Bar
- Test Pressure: 10 Bar
- (10 Bar = 1 MPA = 147 PSI)
- Hot Water Temperature: Max. 70°C
- Recommended Hot Water Temp: 65°C
- The Product Is Exclusively Designed For Portable Or Drinking Water!



- Slotting the wall according to the piping diagram shown in the manual (The master valve depth about 60mm), Reference to the above figure and master valve mark
- After having complete the above work, connect the faucet and all pipelines, then carry out the high pressure water test for any leakage in all the joints, otherwise, reconnect it.
- Fix the faucet on the wall and place it horizontally, seal the mortar and stick ceramic tile later, the highest marking line on the faucet body is the surface line of the tile, Pay attention to the faucet buried depth should not be lower than marking line (i.e. 80mm)

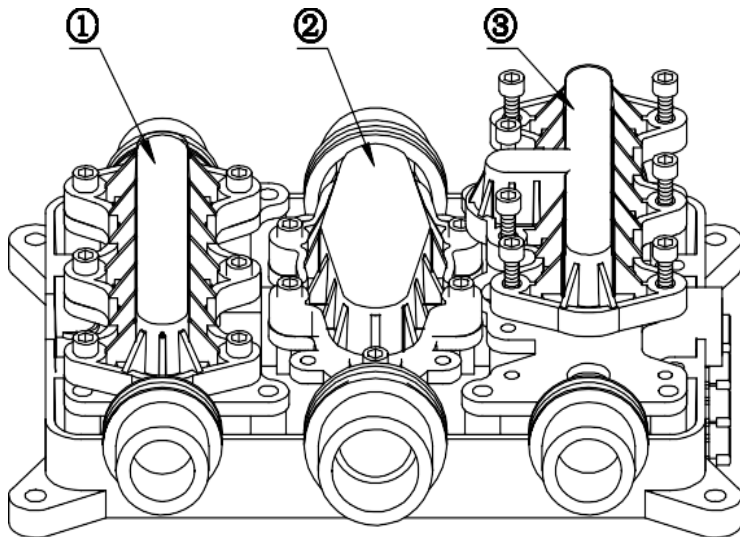
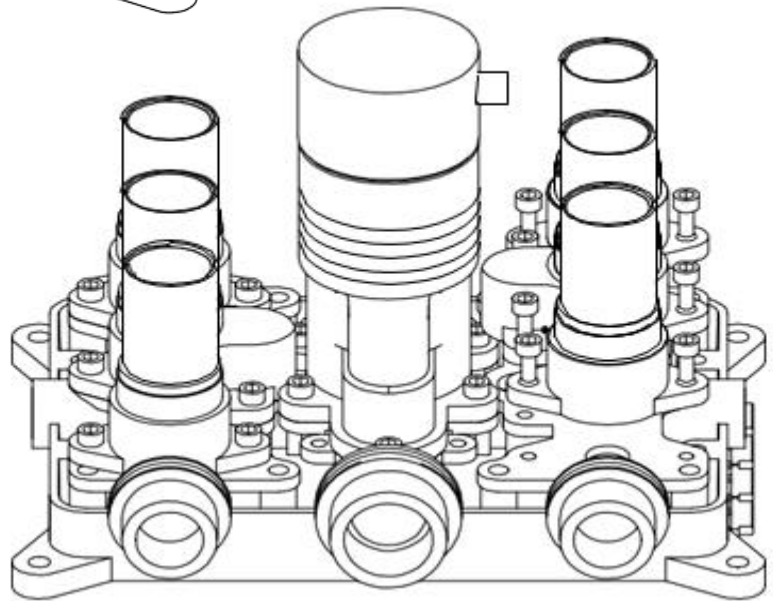


Figure3



- d) After finishing the wall tiling, take off the outer cover of the faucet body, the faucet's outer box should be cutted parallel to the wall by cutting tools when it's higher than wall, and remove parts 1,2,3, on the faucet body, then counter flush and clean any debris in the pipes, in order to avoid the faucet switch blockage and affecting the quality and functions.(figure 3)**
- e) Based on the functions of the faucet outer pipe, install 5,7,8 on the faucet body (see figure 5)**
- f) Take note of inlet direction of hot and cold water when install 7, marked H for hot water and C for cold water**

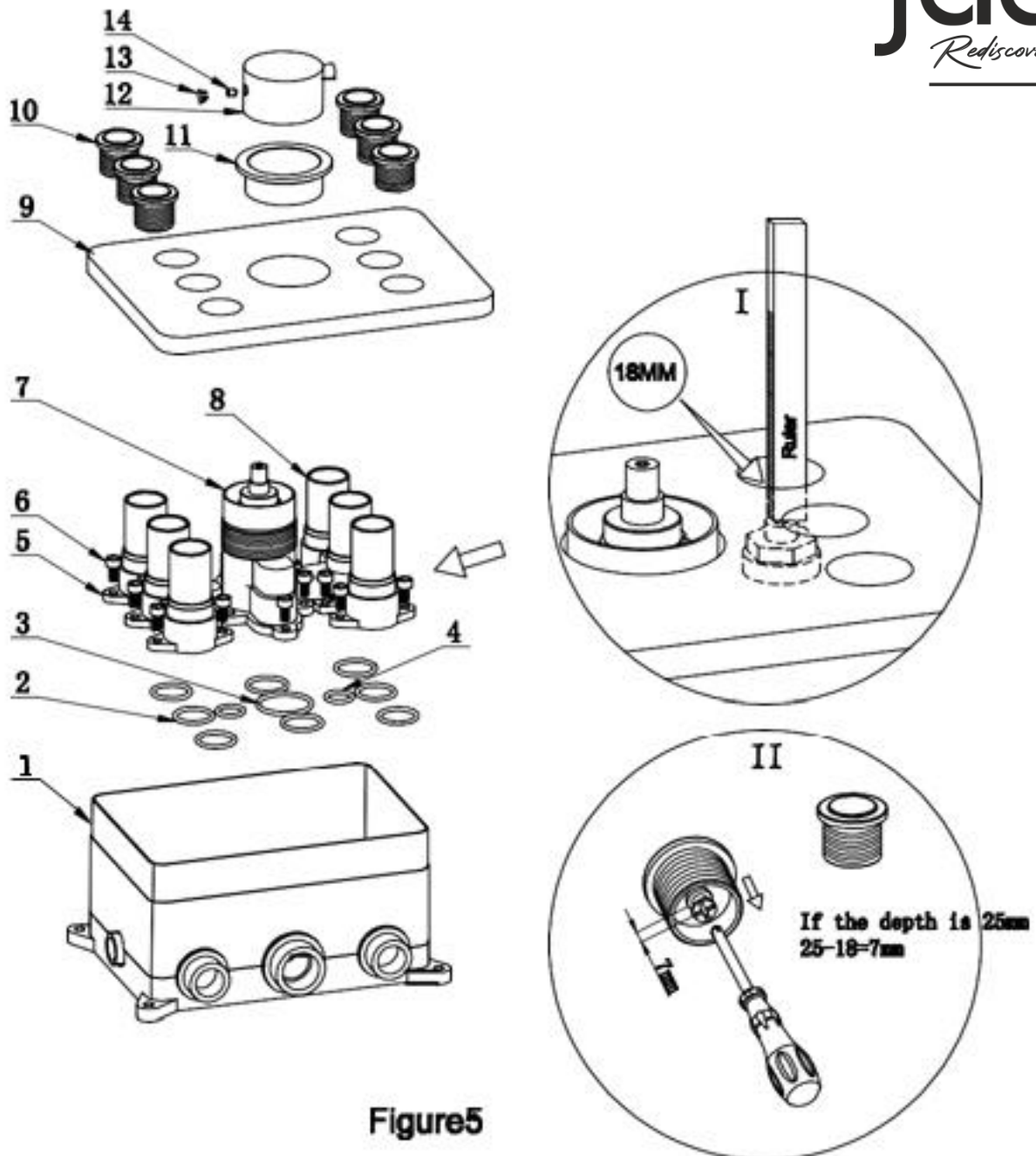


Figure5

- g) After the wall is finished, first assemble 5,7,8 with no 6, see above figure.**
- h) Place 9 on the wall, then align the hole With inner valve core, closer the valve core, and measure the height between the valve core head and the panel plane with a ruler. 18mm is the standard size, if the measurement is 25mm deep, $25-18=7\text{mm}$**
- i) Then install it with no. 9 and lock it with no. 10.**
- j) Then fix the handle on the middle on the middle body to ensure that the handle rod is used upward lock it with a hexagon wrench**

WARRANTY

JAAZ OFFERS A FIVE-YEAR MANUFACTURER'S WARRANTY FOR YOUR LONG-TERM ENJOYMENT OF OUR PRODUCTS.

- Prior To Installation, Inspect The Product For Transport Damages. After It Has Been Installed, No Transport Or Surface Damage Will Be Honored.
- JAAZ Warranty To The Consumer That This Product Is Free From Production Faults.
- You Will Find The Conditions And Details Of This Warranty At www.jaaz.in. Please Contact Your Contracting Party To Claim Your Rights Under This Warranty.
- Warranty of Thermostatic cartridge will be a year only.

WARRANTY SHALL NOT COVER

- Cleaning Lime-scale Deposits, Operating And Handling Errors, Damage Caused By Aggressive Environmental Influences, Chemicals Or Detergents;
- Non-compliance With The Installation, Maintenance And Usage Instructions Appended Or Provided By JAAZ.
- Products That Have Not Been Or Are Not Used In Line With Their Intended Purpose.
- Any And All Labor Cost Required During Repair/Replacement Of Product/Part.
-

MANUFACTURER DATE _____



JAAZ CORPORATION PVT. LTD.
406 Onyx, Akshar Cross Road, O. P.
Road, Vadodara 390 020. Gujarat.
INDIA

+91-9408630765
info@jaaz.in
www.jaaz.in